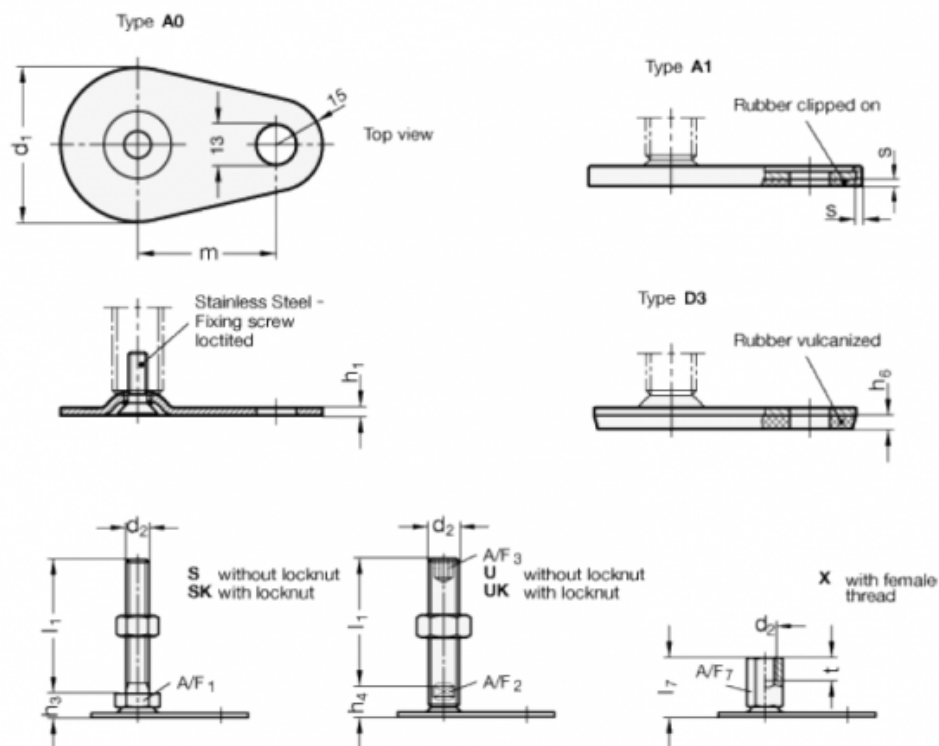


Article number: 204250M1060D3S

Description: E+G levelling foot
GN 42-50-M10-60-D3-S

Note: S Without nut, External hexagon at the bottom

Measures



A/F1 = 17

d_1 = 50

d_2 = M10

h_1 = 2.5

h_3 = 11

h_6 = 4

l_1 = 60

m = 45

s =